

DH-SD40/42/42C212I-HC

2Mp Mini HDCVI PTZ Dome Camera



SD40212I-HC



SD42212I-HC



SD42C212I-HC

Features

- Powerful 12x optical zoom
- Max. 25/30fps@1080P
- DWDR, Day/Night (ICR), DNR (2D&3D), Auto iris, Auto focus, AWB, AGC, BLC
- Max 300°/s pan speed, 360° continuous pan rotation
- Control over coaxial cable, long distance real-time transmission
- HD and SD switchable
- Up to 255 presets, 5 auto scan, 8 tour, 5 pattern
- Built-in 2/1 alarm in/out
- Support intelligent 3D positioning with DH-SD protocol
- IP66(outdoor), IK10, OSD

DH-SD40/42/42C212I-HC

Technical Specifications:

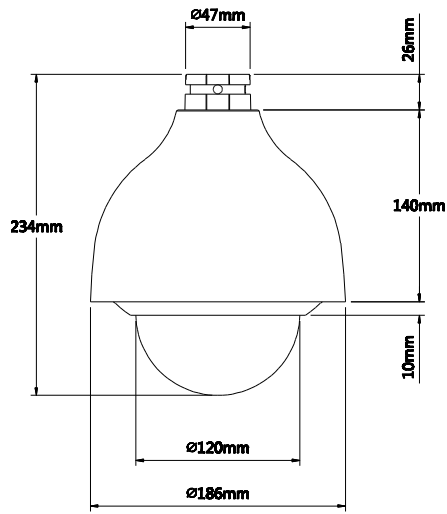
| Model | DH-SD40212I-HC | DH-SD42212I-HC | DH-SD42C212I-HC |
|----------------------------|--|----------------|-----------------|
| Camera | | | |
| Image Sensor | 1/2.8" Exmor CMOS | | |
| Effective Pixels | 1944(H) x 1092(V), 2 Megapixels | | |
| Horizontal Resolution | ≥1000TVL | | |
| Scanning System | Progressive | | |
| Electronic Shutter Speed | 1/1s ~1/30,000s | | |
| Min. Illumination | Color: 0.05 Lux/F1.6, B/W: 0.005Lux/F1.6 | | |
| S/N Ratio | More than 55dB | | |
| Resolution | 1080P(25/30fps), 720P(25/30/50/60fps) | | |
| Video Output | 1-channel BNC HDCVI high definition video output/ CVBS standard definition video output (Can switch) | | |
| Camera Features | | | |
| Day/Night | Auto(ICR) / Color / B/W | | |
| Backlight Compensation | BLC / HLC / DWDR (Digital WDR) | | |
| White Balance | Auto, ATW, Indoor, Outdoor, Manual | | |
| Gain Control | Auto / Manual | | |
| Noise Reduction | 2D / 3D | | |
| Privacy Masking | Up to 24 areas | | |
| Digital Zoom | 16x | | |
| Lens | | | |
| Focal Length | 5.1 mm~61.2mm (12x Optical zoom) | | |
| Max Aperture | F1.6~ F3.0 | | |
| Focus Control | Auto / Manual | | |
| Angle of View | H: 51.3° ~ 4.64° | | |
| Close Focus Distance | 100mm~1000mm | | |
| PTZ | | | |
| Pan/Tilt Range | Pan: 0° ~ 360° endless; Tilt: -2° ~ 90°, auto flip 180° | | |
| Manual Control Speed | Pan: 0.1° ~ 300°/s; Tilt: 0.1° ~120°/s | | |
| Preset Speed | Pan: 300°/s; Tilt:200°/s | | |
| Preset | 80(DH-SD) , 255(Pelco-P/D) | | |
| PTZ Mode | 5 Pattern, 8 Tour, 5 Auto Scan, Auto Pan | | |
| Speed Setup | Human-oriented focal length/ speed adaptation | | |
| Power up Action | Auto restore to previous PTZ and lens status after power failure | | |
| Idle Motion | Activate Preset/ Scan/ Tour/ Pattern if there is no command in the specified period | | |
| Protocol | DH-SD, Pelco-P/D (Auto recognition) | | |
| Audio | | | |
| Interface | 1 channel In | | |
| Auxiliary Interface | | | |

DH-SD40/42/42C212I-HC

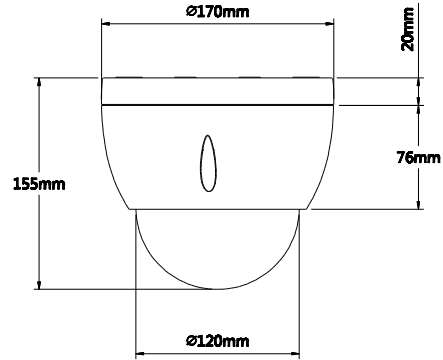
| | | | |
|---------------------|------------------------------------|---------------------------------|--------------|
| RS485 | 1 | | |
| Alarm | 2/1 channel In/Out | | |
| General | | | |
| Power Supply | AC24V/1.5A (±10%) | | |
| Power Consumption | 10W, 19W(Heater on) | 10W | |
| Working Environment | -40°C ~ 60°C / Less than 90% RH | -10°C ~ 60°C / Less than 90% RH | |
| Ingress Protection | IP66 | N/A | |
| Vandal Resistance | IK10 | | |
| Dimensions | Φ186mm×234mm | Φ170mm×155mm | Φ198mm×158mm |
| Weight | 2.3Kg | 1.8Kg | 2.0Kg |

DH-SD40/42/42C212I-HC

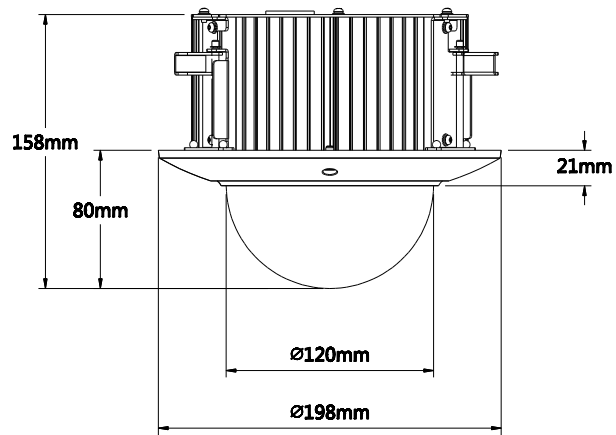
Dimensions (mm)



SD40212I-HC



SD42212I-HC



SD42C212I-HC

DH-SD40/42/42C212I-HC

Accessories




SD40212I-HC

| | | |
|---|---|---|
|  |  |  |
| DH-PFB300S | DH-PFA110 | Power Supply |

Accessories (Optional)

SD40212I-HC



| | | |
|---|---|---|
|  |  |  |
| DH-PFB300C | DH-PFA112 | DH-PFA113 |

| | | |
|---|---|--|
|  |  |  |
| DH-PFA120 | DH-PFA150 | DH-PFA151 |

SD42212I-HC

DH-SD40 /42/42C 212I -HC

| | | | | |
|---|---|---|--|---|
|  |  |  |  |  |
| DH-PFA102 | DH-PFB300S | PFB302S | DH-PFB300C | DH-PFA112 |

| | | | |
|---|---|---|--|
|  |  |  |  |
| DH-PFA113 | DH-PFA120 | DH-PFA150 | DH-PFA151 |