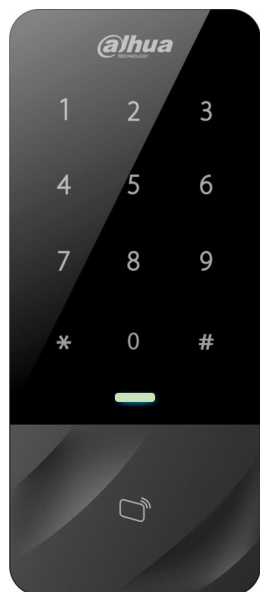


# DHI-ASI1201E-D

Water-proof RFID Standalone



- Support 30,000 valid cards & 60,000 records.
- Support ID card recognition in the non-contact way.
- Support card, password and combination.
- Support TCP/IP connection and auto registration.
- Wiegand or RS-485 interface to reader.
- Door time out alarm, intrusion alarm, duress alarm, blocklist alarm and tamper alarm.
- Anti-passback, multi-card open.
- Water-proof design.
- Support 128 efficient time and holiday schedules.
- Watch dog function ensure device free from halting.
- One card per user.

## Technical Specification

### System

|                |        |
|----------------|--------|
| Main Processor | 32 Bit |
| Memory         | 16 MB  |

### Input/Output Ports

|        |                                  |
|--------|----------------------------------|
| Input  | Door sensor × 1, Exit button × 1 |
| Output | Relay × 1 (Door lock)            |
| Reader | Reader × 1                       |

### Card Read

|               |                       |
|---------------|-----------------------|
| Read Format   | ID card               |
| Read Range    | 1cm–5cm (0.39"–1.96") |
| Response Time | <0.1s                 |

### Capacity

|             |        |
|-------------|--------|
| Cardholders | 30,000 |
| Events      | 60,000 |

### Function

|                 |   |
|-----------------|---|
| User Management | General; VIP; guest; patrol; blocklist; other   |
| Alarm Function  | Door time out alarm, Intrusion alarm, Duress alarm, Tamper alarm                        |
| Period Setting  | Support 128 groups of schedule, 128 groups of periods and 128 groups of holiday periods |

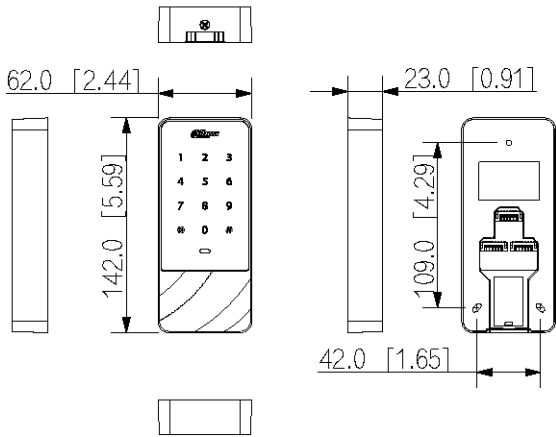
## Interface

|           |                |
|-----------|----------------|
| To PC     | RJ45(10/100M)  |
| To Reader | Wiegand/ RS485 |

## General

|                     |  |
|---------------------|--|
| RTC                 | Yes  |
| Voice Prompt        | No   |
| Beep Tone           | Buzzer   |
| Keyboard            | Sensitive touch keypad with blue backlight     |
| Power Supply        | 12 VDC, 0.5 A                                  |
| Working Environment | –30 °C to +60 °C (–22 °F to +140 °F)           |
| Working Humidity    | 5%–95% (RH) (Non-condensing)                   |
| Dimension(W×D×H)    | 142.0 mm×62.0 mm×23.0 mm (5.59"× 2.44"× 0.91") |
| Weight              | 0.7 kg (1.54 lb)                               |

**Dimensions**



**Application**

Small Office  
One door controller

